

CURRENT 40 Ampere
VOLTAGE RANG 200 to 1000 Volts

MUR4020PT THRU MUR40100PTR

Features

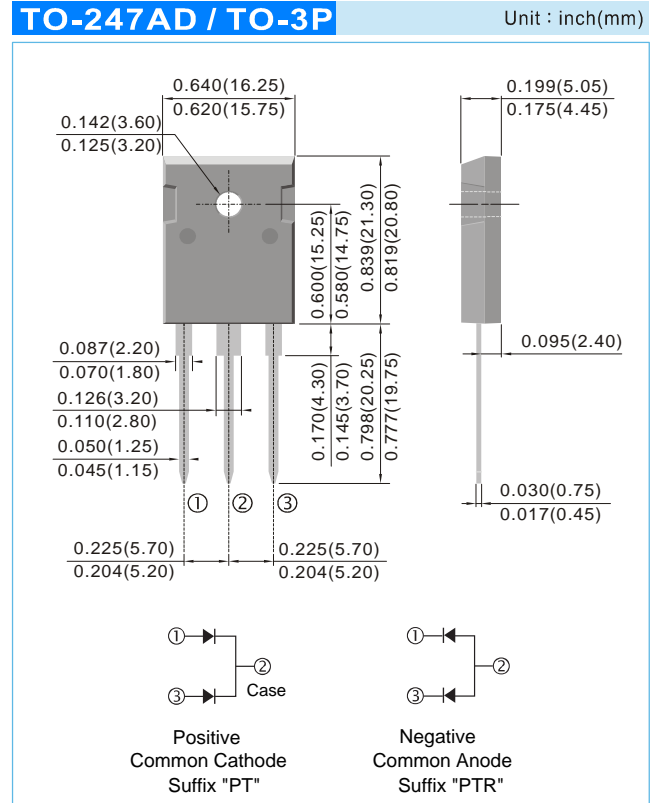
- * Fast switching for high efficiency
- * Low forward voltage drop
- * High current capability
- * Low reverse leakage current
- * High surge current capability

Application

- * Automotive Inverters and Solar Inverters
- * Plating Power Supply, Motor Control, SMPS and UPS
- * Car Audio Amplifiers and Sound Device Systems

Mechanical Data

- * Case: Heatsink TO-247AD/247S/3P open metal package
- * Epoxy: UL 94V-0 rate flame retardant
- * Terminals: Solderable per MIL-STD-202 method 208
- * Polarity: As marked on diode body
- * Mounting position: Any
- * Weight: 0.65 gram approximately



MAXIMUM RATINGS AND ELECTRICAL CHARACTERISTICS

Rating at 25°C ambient temperature unless otherwise specified.
 Single phase, half wave, 60Hz, resistive or inductive load.
 For capacitive load, derate current by 20%.

	SYMBOL	MUR 4020PT/R	MUR 4040PT/R	MUR 4060PT/R	MUR 4080PT/R	MUR 40100PT/R	UNIT
Maximum Recurrent Peak Reverse Voltage	V _{RRM}	200	400	600	800	1000	V
Maximum RMS Voltage	V _{RMS}	140	280	420	560	700	V
Maximum DC Blocking Voltage	V _{DC}	200	400	600	800	1000	V
Maximum Average Forward Rectified Current T _C =125°C (Total Device 2x20A=40A)	I _{F(AV)}	40.0					A
Peak Forward Surge Current, 8.3ms single Half sine-wave superimposed on rated load (JEDEC method)	I _{FSM}	400					A
Maximum Instantaneous Forward Voltage @ 20.0 A (Per Diode/Per Leg)	V _F	0.98	1.3	1.5	1.7	1.9	V
Maximum DC Reverse Current @T _J =25°C At Rated DC Blocking Voltage @T _J =125°C	I _R	10 500					uA uA
Maximum Reverse Recovery Time (Note 1)	T _{rr}	35			50		nS
Typical junction Capacitance (Note 2)	C _J	150					pF
Operating Junction and Storage Temperature Range	T _J , T _{STG}	-55 to +150					°C

NOTES : (1) Reverse recovery test conditions I_F = 0.5A I_R = 1.0A I_{rr} = 0.25A.
 (2) Thermal Resistance junction to terminal.
 (3) Measured at 1.0 MHz and applied reverse voltage of 4.0 Volts DC.

CURRENT 40 Ampere
 VOLTAGE RANG 200 to 1000 Volts

MUR4020PT THRU MUR40100PTR

RATING AND CHARACTERISTIC CURVES

FIG.1 - FORWARD CURRENT DERATING CURVE

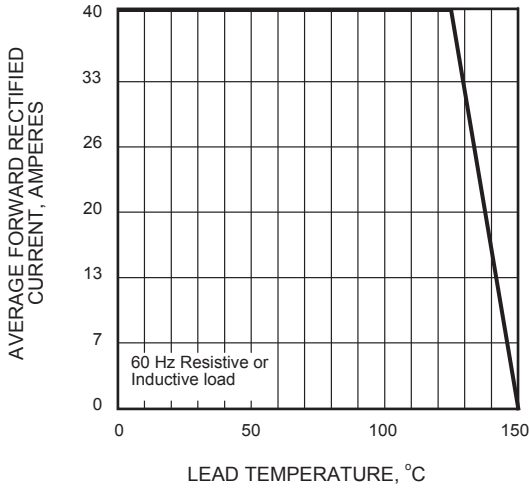


FIG.2 - MAXIMUM NON-REPETITIVE PEAK FORWARD SURGE CURRENT

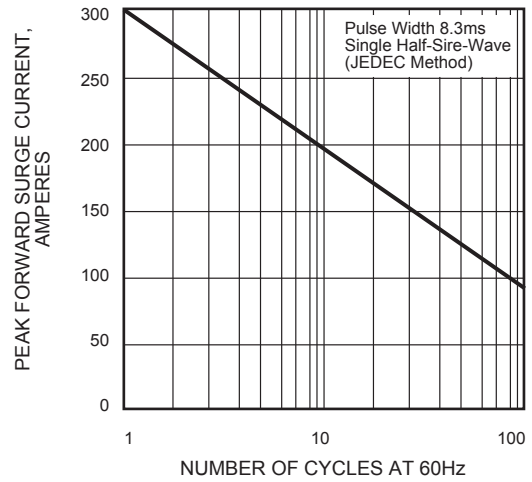


FIG.3 - TYPICAL INSTANTANEOUS FORWARD CHARACTERISTICS

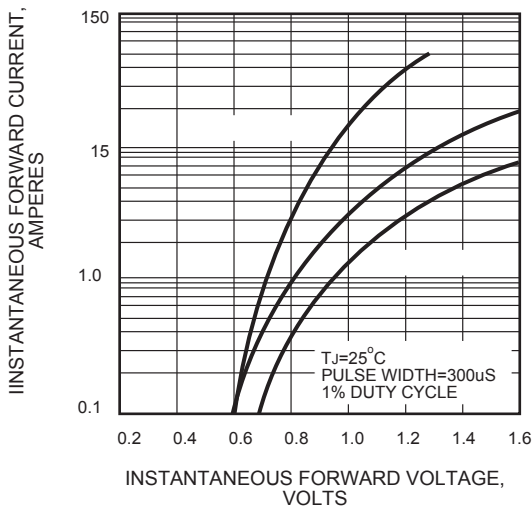


FIG.4 - TYPICAL REVERSE CHARACTERISTICS

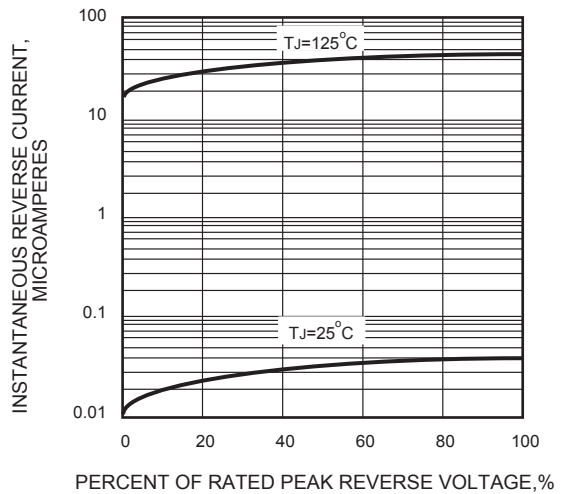
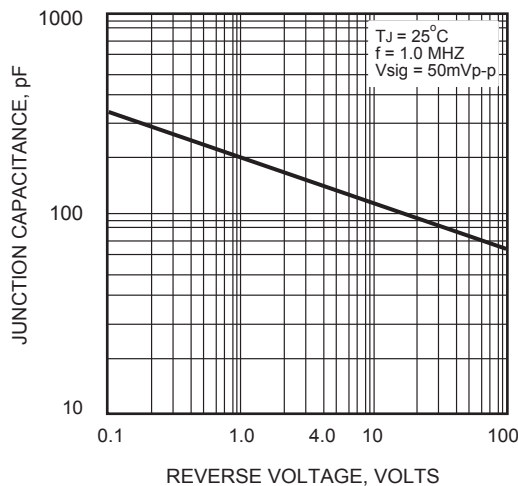


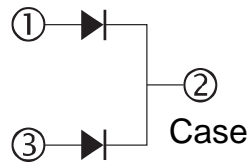
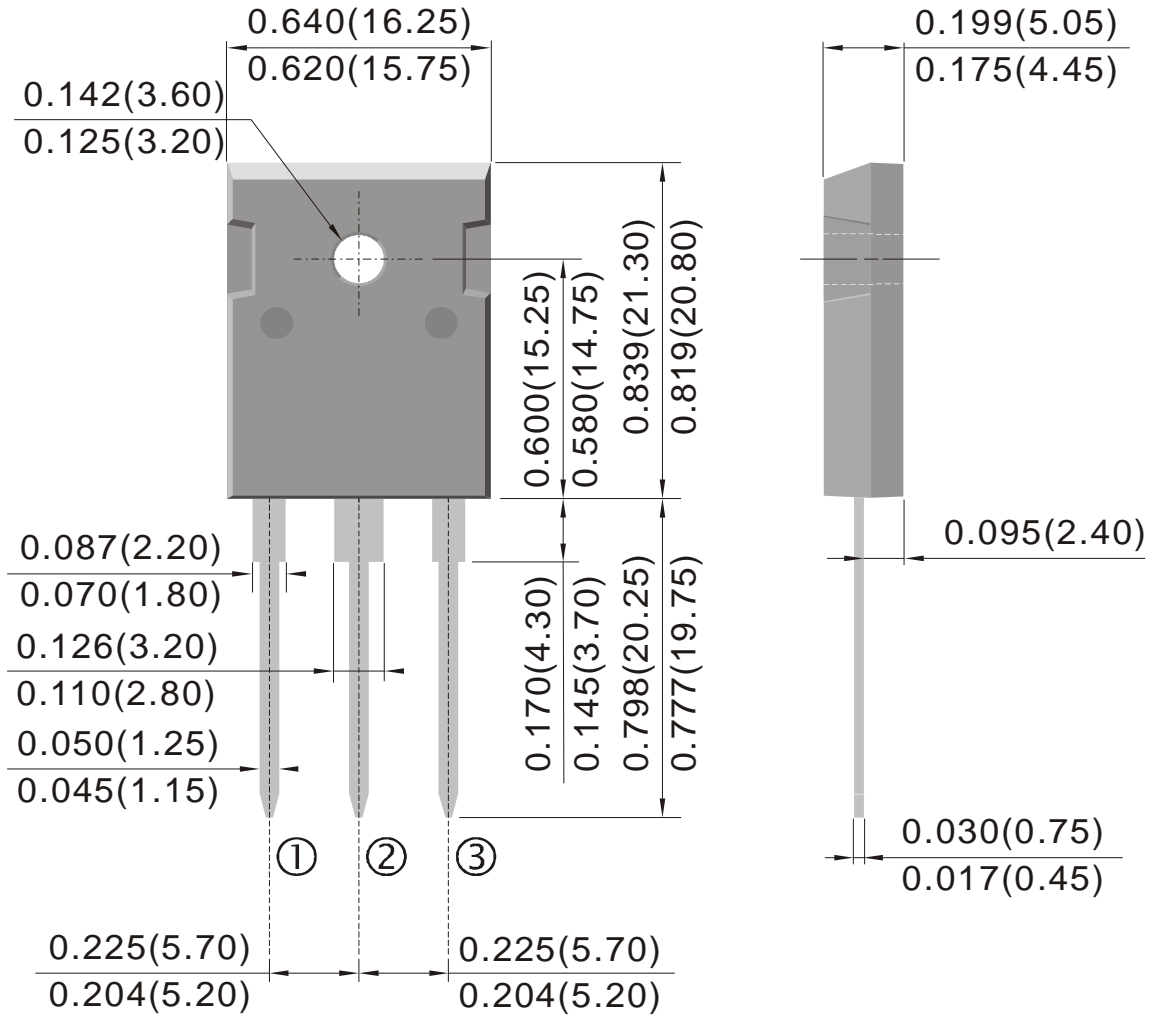
FIG.5 - TYPICAL JUNCTION CAPACITANCE



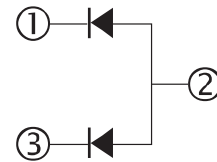
CURRENT 40 Ampere
 VOLTAGE RANG 200 to 1000 Volts

MUR4020PT THRU MUR40100PTR

T0-247AD



Positive
 Common Cathode
 Suffix "PT"



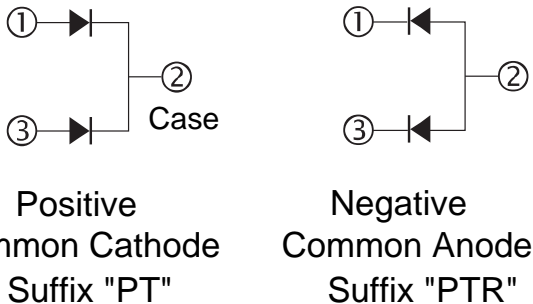
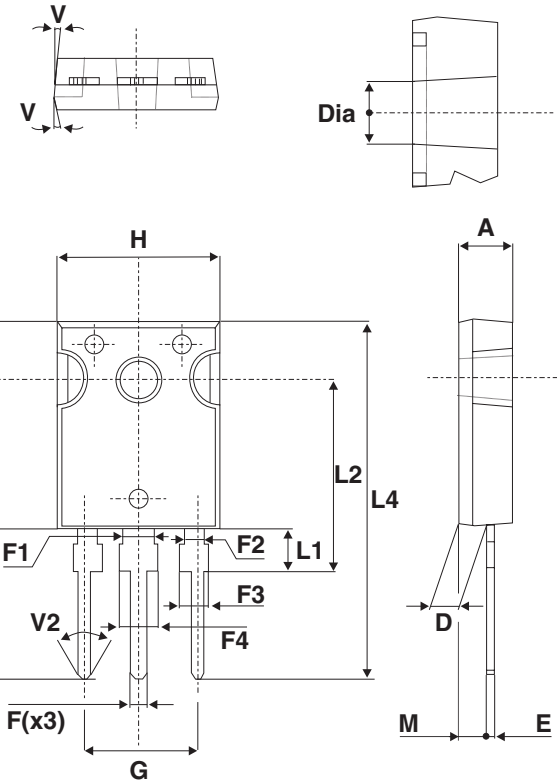
Negative
 Common Anode
 Suffix "PTR"

CURRENT 40 Ampere
 VOLTAGE RANG 200 to 1000 Volts

MUR4020PT THRU MUR40100PTR

T0-247S

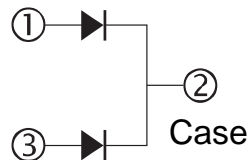
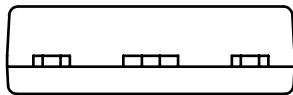
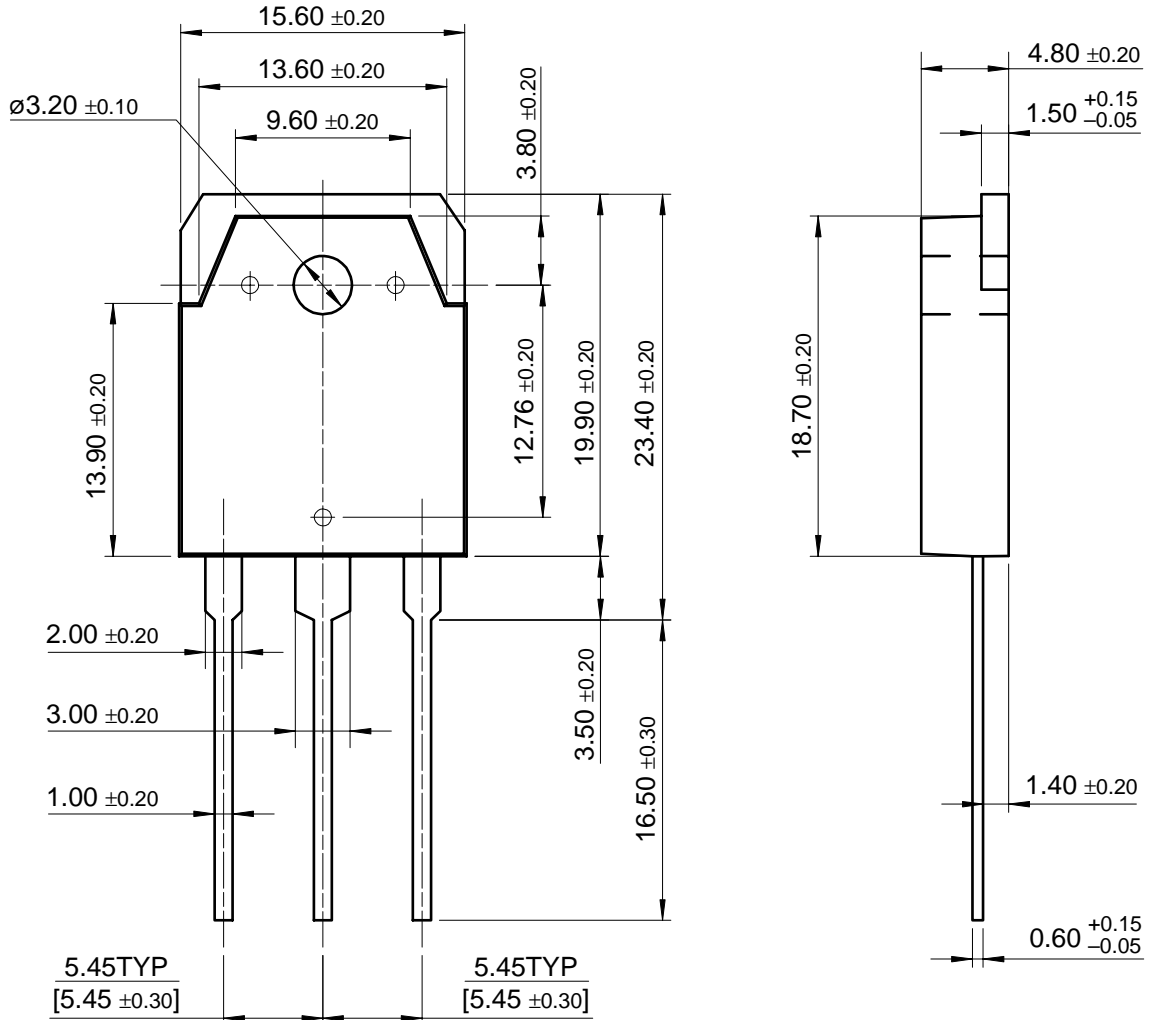
Ref.	Dimensions					
	Millimeters			Inches		
	Min.	Typ.	Max.	Min.	Typ.	Max.
A	4.85		5.16	0.191		0.203
D	2.20		2.60	0.086		0.102
E	0.40		0.80	0.015		0.031
F	1.00		1.40	0.039		0.055
F1		3.00			0.118	
F2		2.00			0.079	
F3	1.90		2.40	0.075		0.094
F4	3.00		3.40	0.118		0.134
G		10.90			0.429	
H	15.45		16.03	0.608		0.631
L	19.85		21.09	0.781		0.830
L1	3.70		4.30	0.146		0.169
L2	18.30		19.13	0.720		0.753
L3	14.20		20.30	0.559		0.799
L4	34.05		41.38	1.341		1.629
L5	5.35		6.30	0.211		0.248
M	2.00		3.00	0.079		0.118
V		5°			5°	
V2		60°			60°	
Dia.	3.55		3.65	0.140		0.144



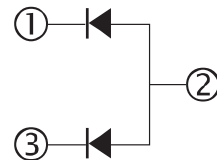
CURRENT 40 Ampere
 VOLTAGE RANG 200 to 1000 Volts

MUR4020PT THRU MUR40100PTR

TO-3P



Positive
 Common Cathode
 Suffix "PT"



Negative
 Common Anode
 Suffix "PTR"