

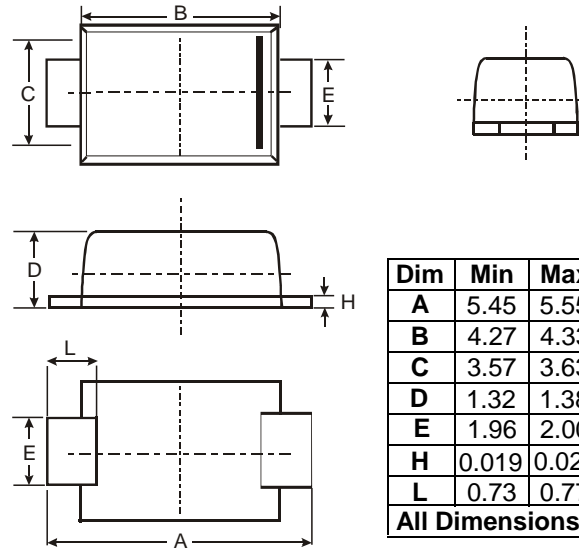
CURRENT 1.0 Ampere
 VOLTAGE RANG 50 to 1000 Volts

S1ABF THRU S1MBF

FEATURES

- For surface mounted applications
- Glass passivated junction
- Low profile package
- Built-in strain relief, ideal for automated placement
- Plastic package has underwrites laboratory flammability Classification 94V-0
- High temperature soldering guaranteed:
 250 /10 second at terminals

S M B F



Dim	Min	Max	Typ
A	5.45	5.55	5.50
B	4.27	4.33	4.30
C	3.57	3.63	3.60
D	1.32	1.38	1.35
E	1.96	2.00	1.98
H	0.019	0.021	0.20
L	0.73	0.77	0.75
All Dimensions in mm			

MECHANICAL DATA

- Case: JEDED SMBF molded plastic
- Terminals: Plated axial lead solderable per MIL-STD-750, method 2026
- Polarity: Color band denotes cathode end
- Mounting position: Any
- Weight: 0.002ounce, 0.090 gram

MAXIMUM RATINGS AND ELECTRICAL CHARACTERISTICS

- Ratings at 25 ambient temperature unless otherwise specified.
- Single phase, half wave, 60Hz, resistive or inductive load.
- For capacitive load derate current by 20%

	SYMBOLS	S1A	S1B	S1D	S1G	S1J	S1K	S1M	UNIT
Maximum Repetitive Peak Reverse Voltage	V_{RRM}	50	100	200	400	600	800	1000	Volts
Maximum RMS Voltage	V_{RMS}	35	70	140	280	420	560	700	Volts
Maximum DC Blocking Voltage	V_{DC}	50	100	200	400	600	800	1000	Volts
Maximum Average Forward Rectified Current (see Fig.1)	$I_{F(AV)}$	1.0							Amps
Peak Forward Surge Current 8.3ms single half sine wave superimposed on rated load (JEDEC method) $T_{iL}=90$	I_{FSM}	30							Amps
Maximum Instantaneous Forward Voltage at 1.0A	V_F	1.1							Volts
Maximum DC Reverse Current at rated DC Blocking Voltage at	$T_A = 25$	5.0							A
	$T_A = 125$	50							
Typical Junction Capacitance (NOTE 1)	R_{0JA}	50							/W
	R_{0JL}	90							
Typical Thermal Resistance (NOTE 2)	t_{rr}	1.8							s
Operating and Storage Temperature Range	T_J, T_{STG}	-55 to +150							

Notes:

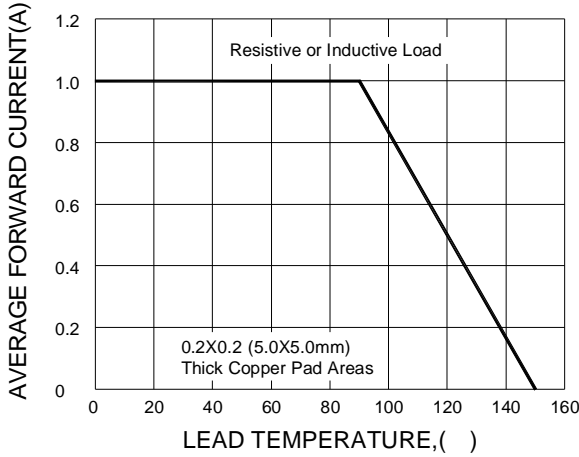
1. Thermal resistance from Junction to ambient and from junction to lead mounted on 0.2×0.2" (5.0 × 5.0mm) copper pad areas.
2. Reverse recovery test condition: $I_F=0.5A, I_R=1.0A, I_{rr}=0.25A$

CURRENT 1.0 Ampere
 VOLTAGE RANG 50 to 1000 Volts

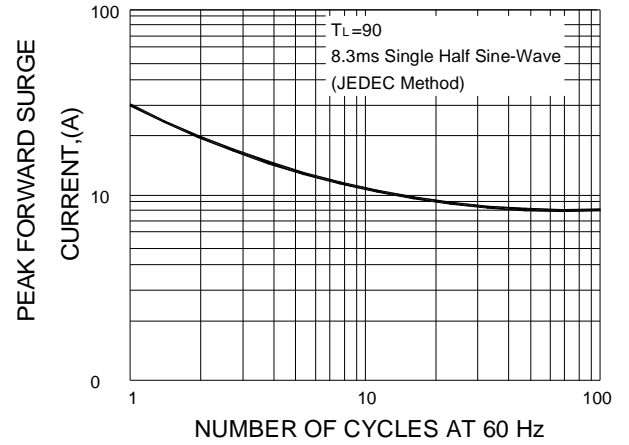
S1ABF THRU S1MBF

RATING AND CHARACTERISTIC CURVES S1A Thru S1M

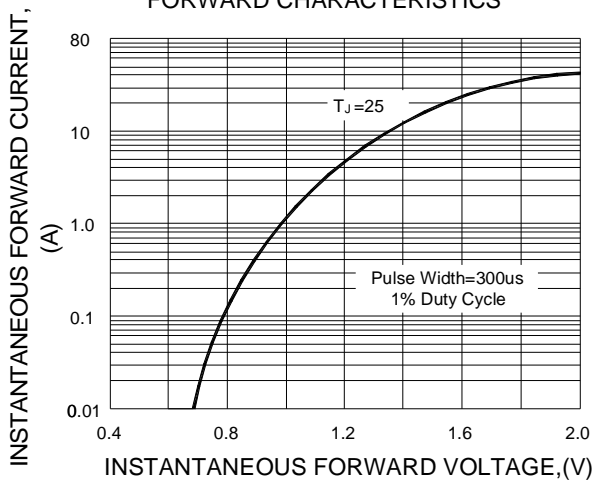
F1G.1-FORWARD CURRENT DERATING CURVE



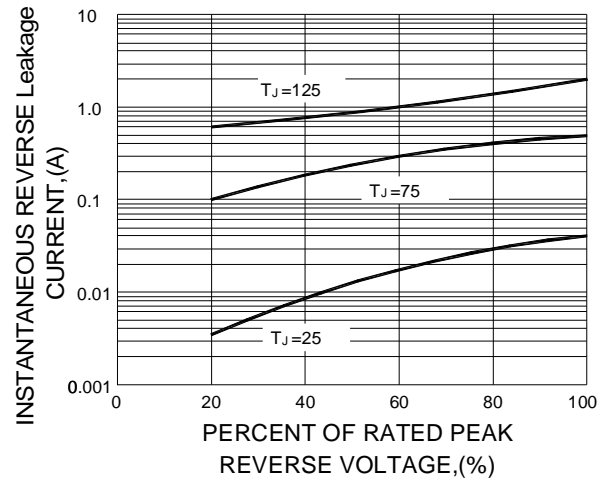
F1G.2-MAXIMUM NON-REPETITIVE PEAK FORWARD SURGE CURRENT



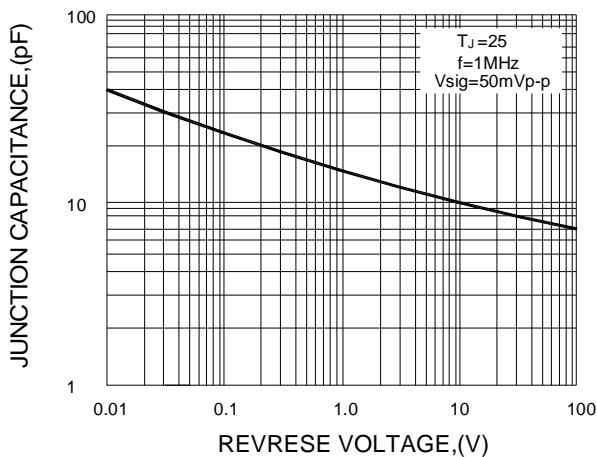
F1G.3-TYPICAL INSTANTANEOUS FORWARD CHARACTERISTICS



F1G.4-TYPICAL REVERSE CHARACTERISTICS



F1G.5-TYPICAL JUNCTION CAPACITANCE



F1G.6-TRANSIENT THERMAL IMPEDANCE

