

CURRENT 35.0 Ampere
 VOLTAGE RANG 400 to 1600 Volts

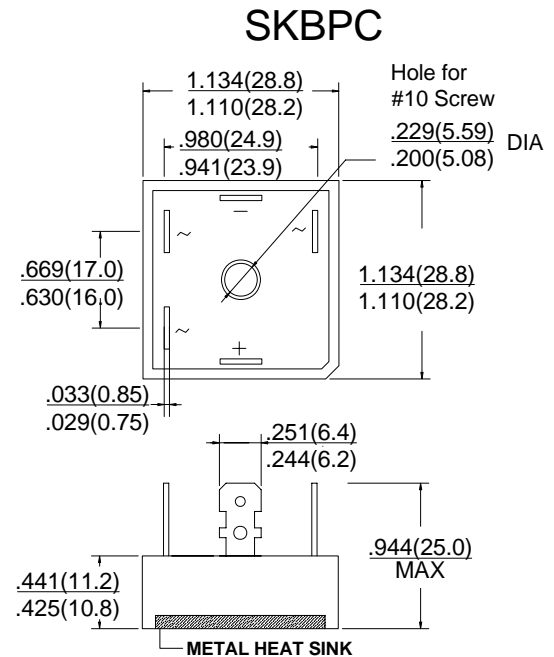
SKBPC3504 THRU SKBPC3516

■ Features

- This series is SGS listed under the Recognized Component Index, file number SZXEC1902259902
- I_o 35A
- V_{RRM} 400V~1600V
- Glass passivated chip
- High surge forward current capability

■ Applications

- General purpose 3 phase Bridge rectifier applications



Dimensions for inches and (millimeters)

MAXIMUM RATINGS AND ELECTRICAL CHARACTERISTICS

Rating at 25°C ambient temperature unless otherwise specified.

Single phase, half wave, 60Hz, resistive or inductive load. For capacitive load, derate current by 20%

PARAMETER	SYMBOL	Conditions	SKBC 3504	SKBPC 3506	SKBPC 3508	SKBPC 3510	SKBPC 3512	SKBPC 3514	SKBPC 3516	UNIT
Repetitive Peak Reverse Voltage	V_{RRM}		400	600	800	1000	1200	1400	1600	V
Average Rectified Output Current	I_o	60Hz sine wave, R-load With heatsink $T_c=55^\circ\text{C}$	35							A
Surge(Nonrepetitive) Forward Current	I_{FSM}	60Hz sine wave, 1 cycle, $T_a=25^\circ\text{C}$	425							A
Current Squared Time	I^2t	$1\text{ms} \leq t < 8.3\text{ms}$ $T_j=25^\circ\text{C}$ Rating of per diode	750							A^2S
Storage Temperature	T_{STG}		-40~+150							$^\circ\text{C}$
Junction Temperature	T_j		-55~+150							$^\circ\text{C}$
Dielectric Strength	V_{dis}	Terminals to case, AC 1 minute	2.5							KV
Item	SYMBOL	UNIT	Test Condition							Max
Peak Forward Voltage	V_{FM}	V	$I_{FM}=17.5\text{A}$, Pulse measurement, Rating of per							1.2
Peak Reverse Current	I_{RRM}	uA	$V_{RM}=V_{RRM}$, Pulse measurement, Rating of per diode							10
Thermal Resistance	$R_{\theta J-C}$	$^\circ\text{C}/\text{W}$	Between junction and case, With heatsink							1.35

CURRENT 35.0 Ampere
 VOLTAGE RANG 400 to 1600 Volts

SKBPC3504 THRU SKBPC3516

Rating and Characteristic Curves (TA=25°C Unless otherwise noted)

